

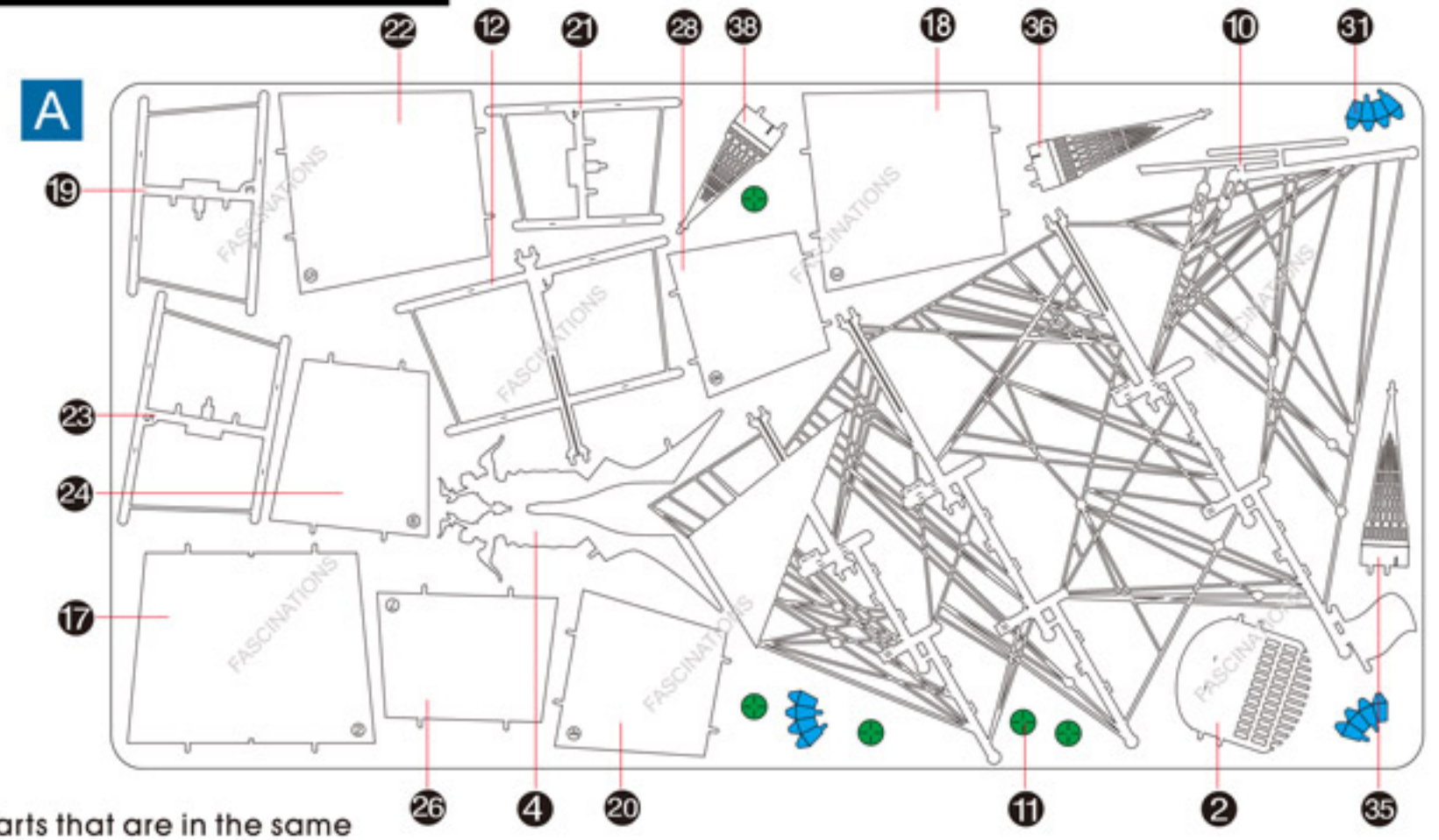


It is highly recommended that you visit www.metalearth.com/360/icx016B to see the completed model before assembling your own

3D METAL MODEL KITS

Go to www.metalearth.com/360/icx016B to see the zoomable PDF version of this instruction sheet

METAL SHEETS

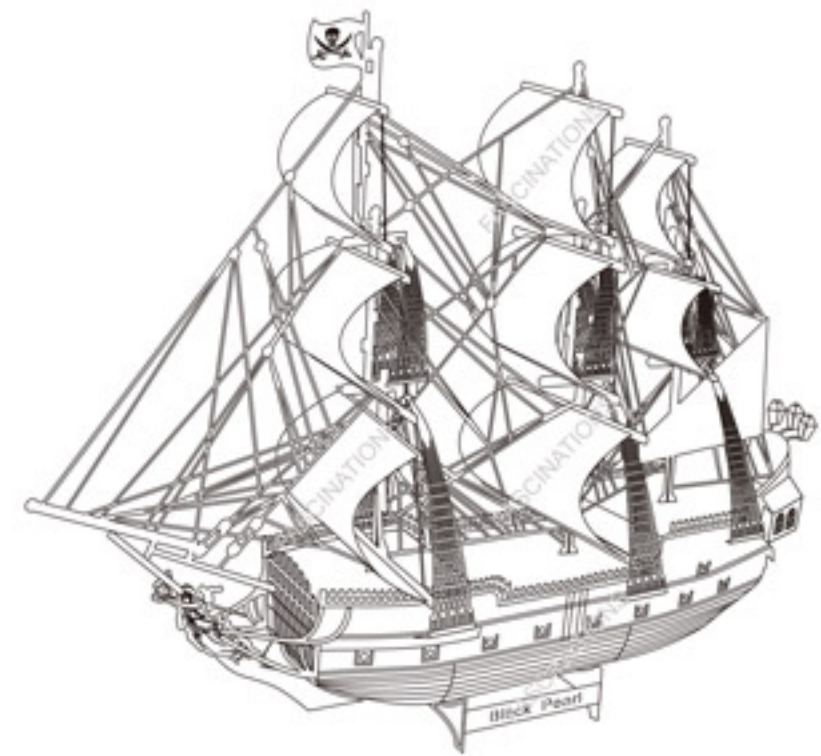


Parts that are in the same color are duplicates

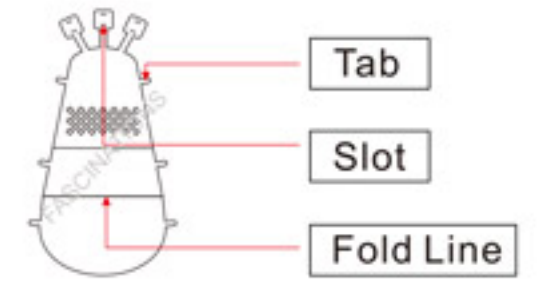


In order to avoid possible injury from sharp edges, please carefully discard the metal sheets after parts have been removed

ICX016B Black Pearl



TO CREATE THE BEST CONNECTIONS



Legends:

- Engraved side
- Non-engraved side
- Attention point
- Insert tab and bend 90 degrees
- Insert tab and twist 90 degrees

Recommended tools:

-Wire cutters: helpful for taking parts from the metal sheets.



-Tweezers or needle nose pliers: helpful for folding parts, bending and twisting tabs.

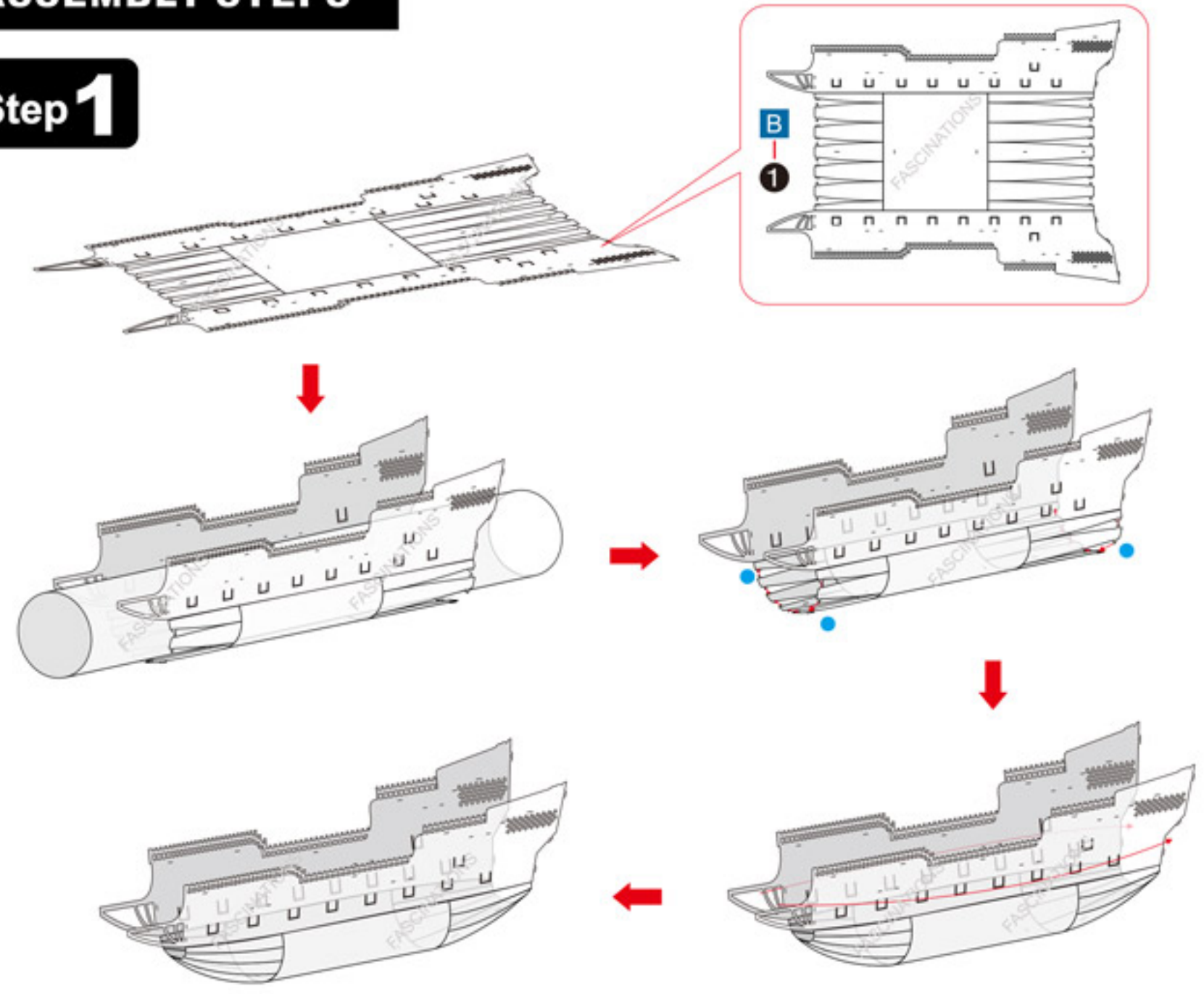


Assembly tip:

If needed, slightly twist tabs to hold parts together then untwist and bend them down for a nice finish

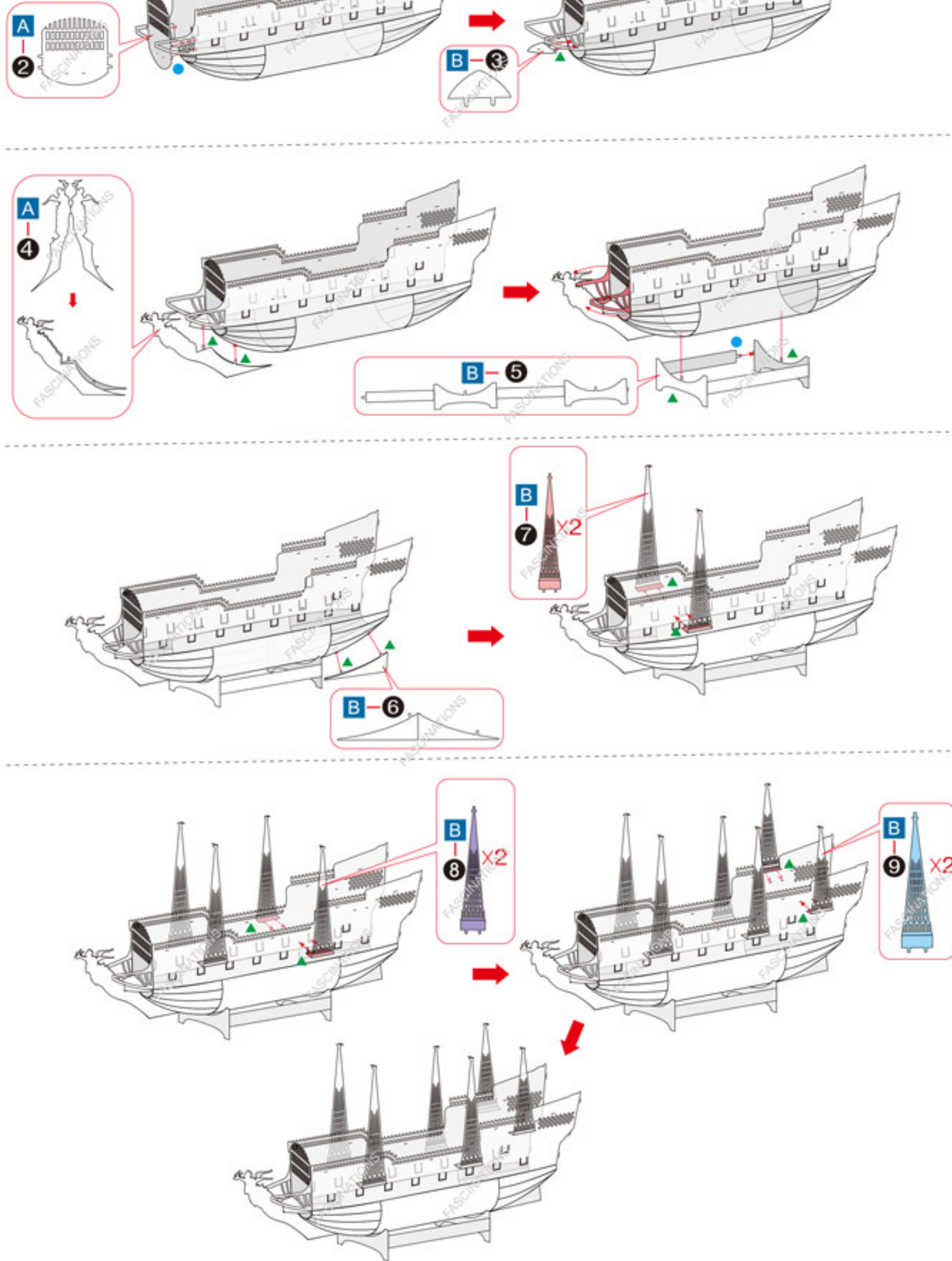
ASSEMBLY STEPS

Step 1

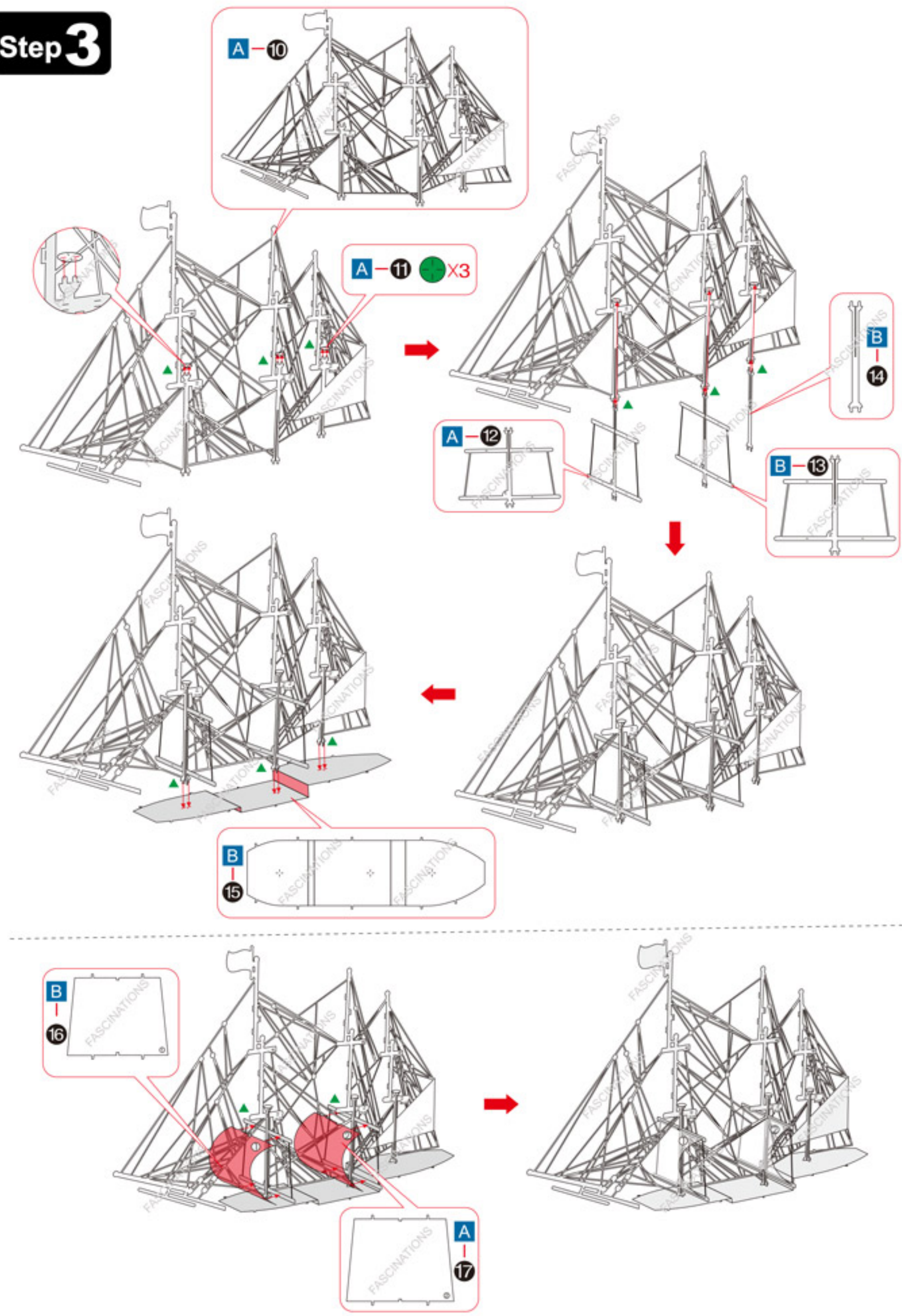


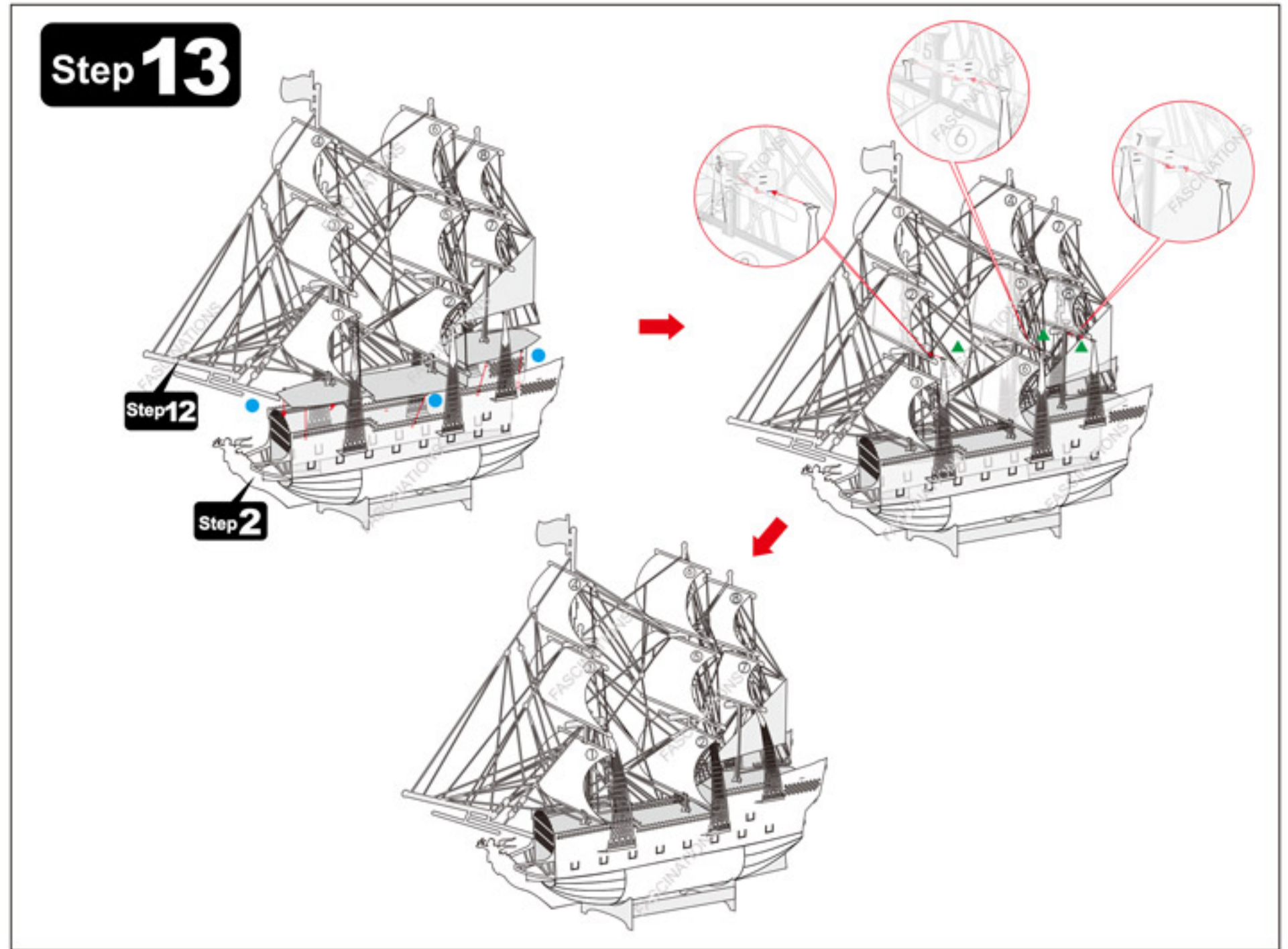
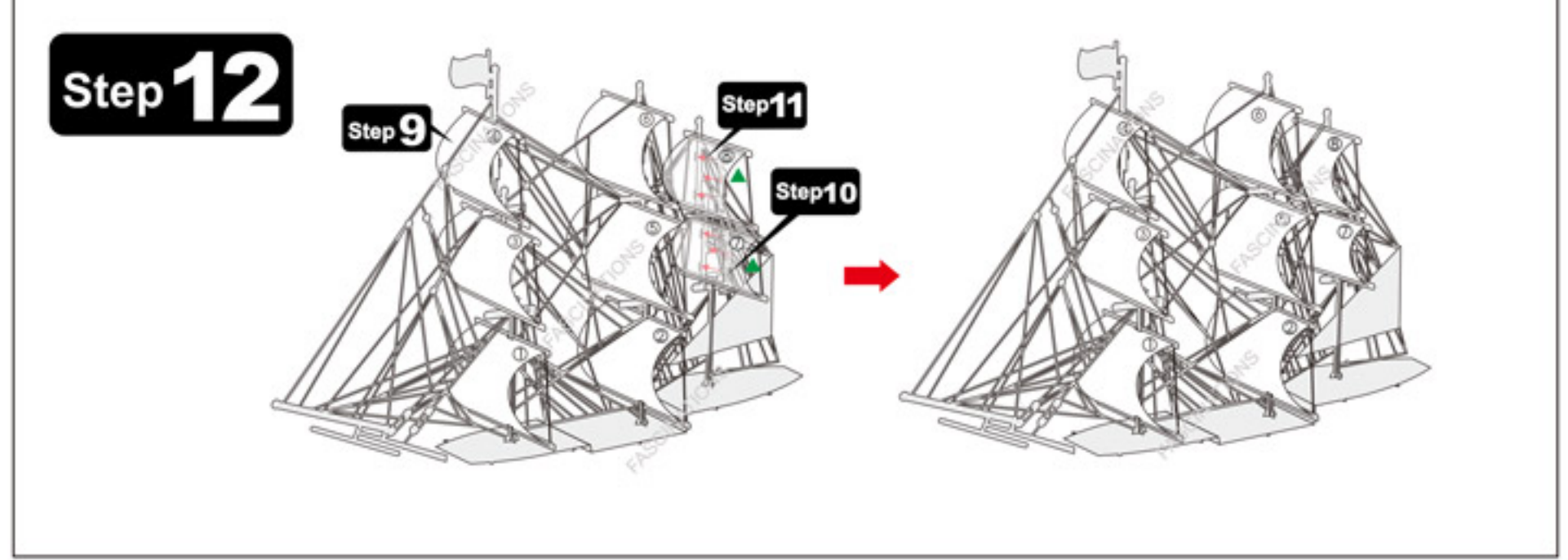
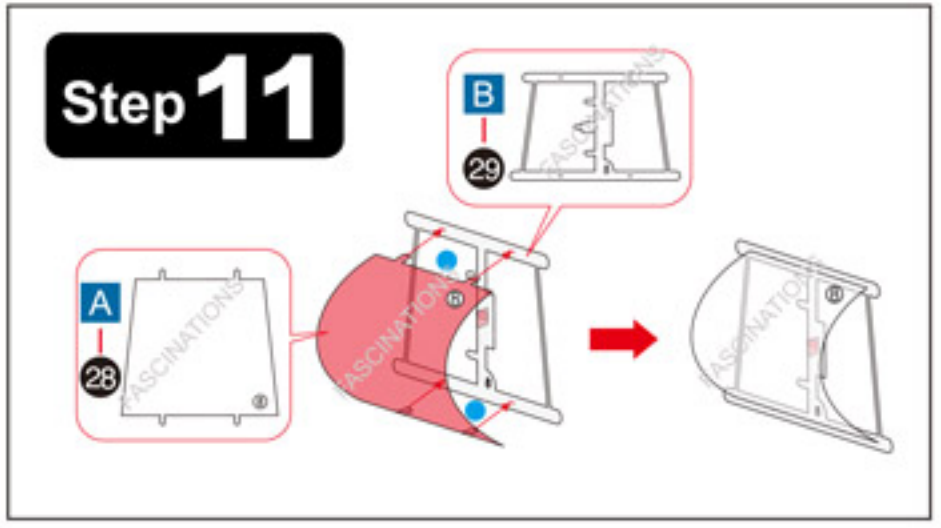
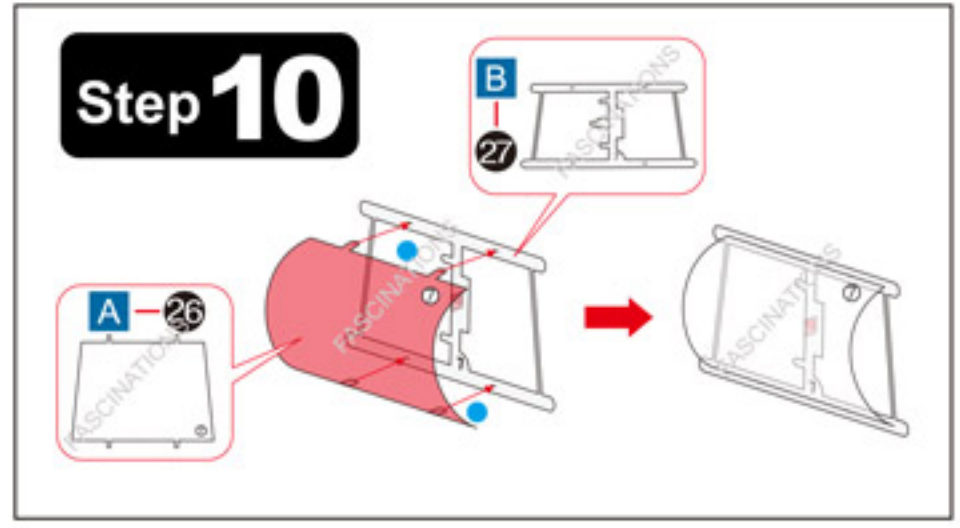
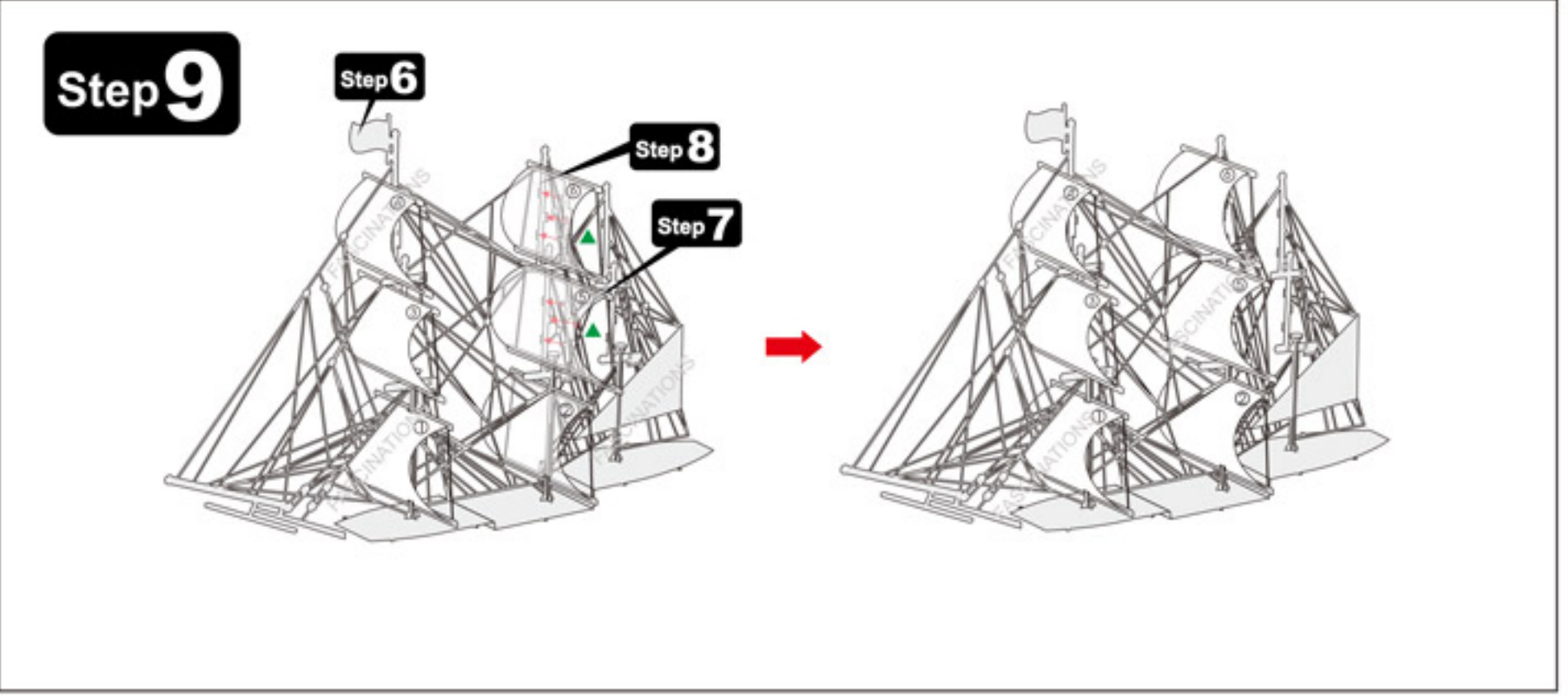
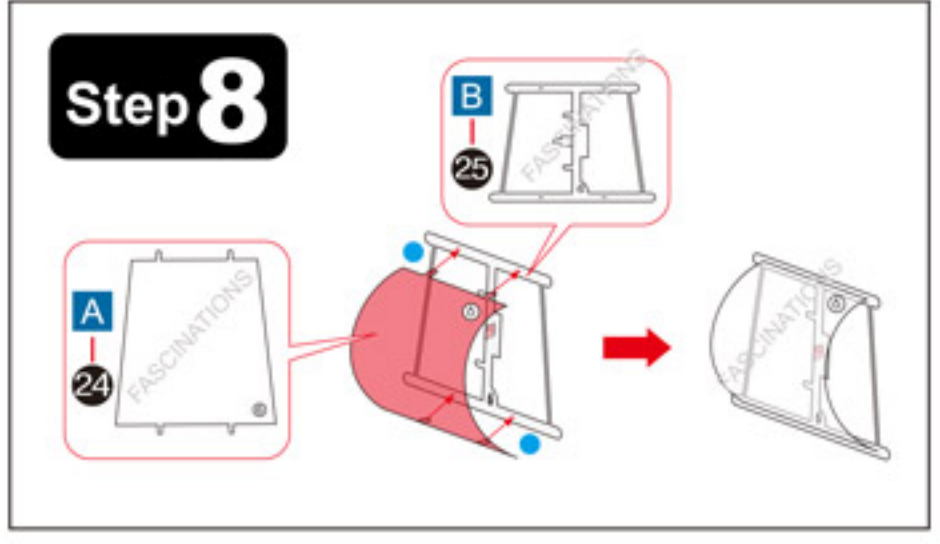
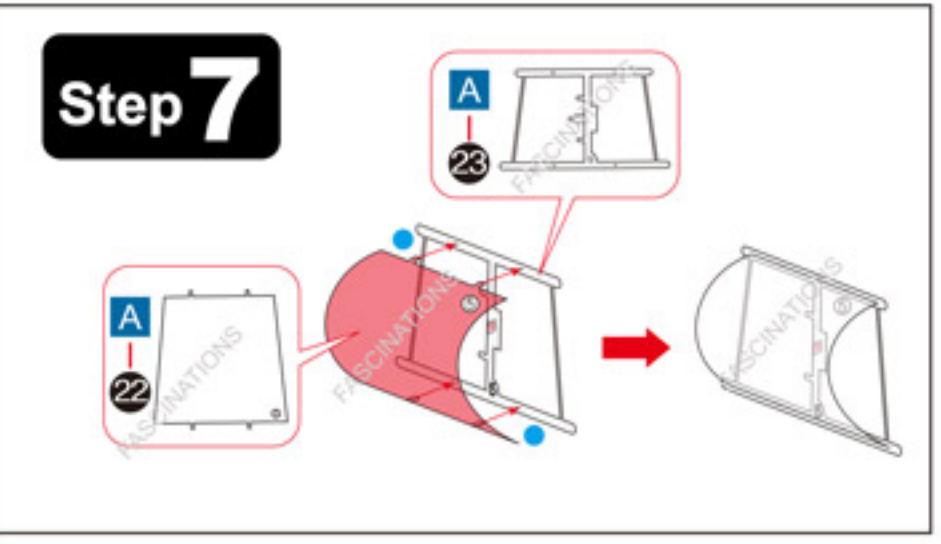
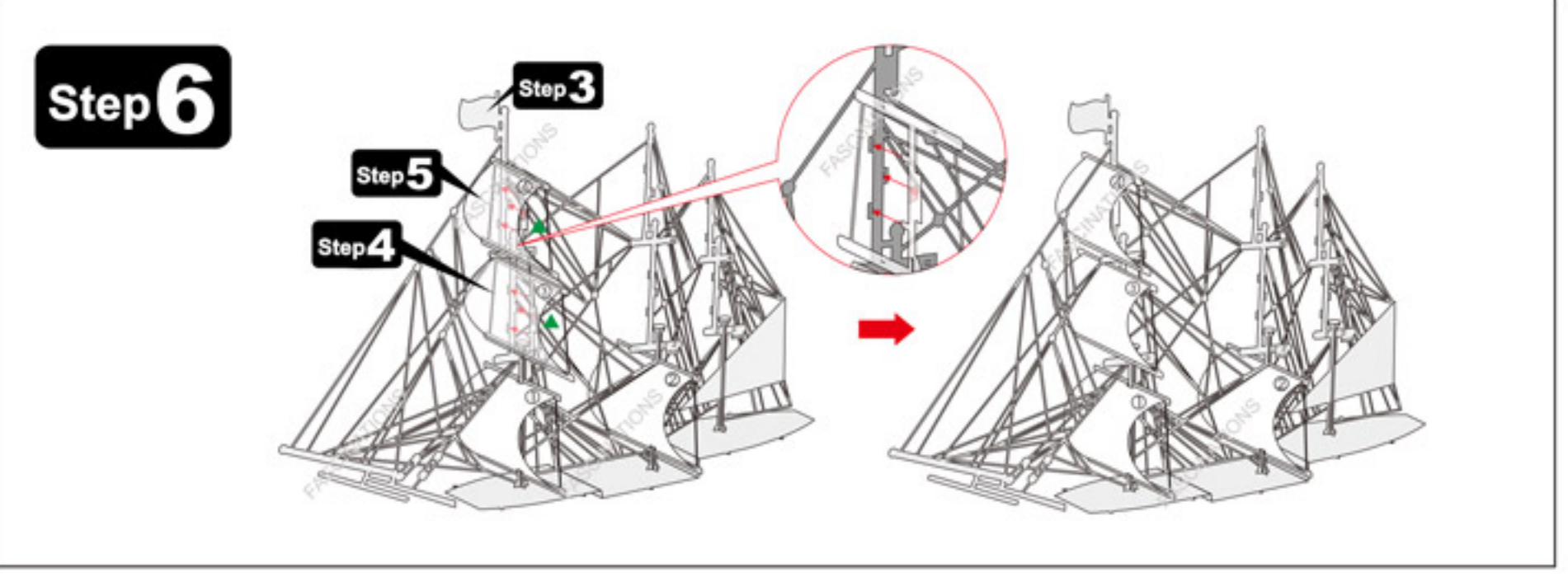
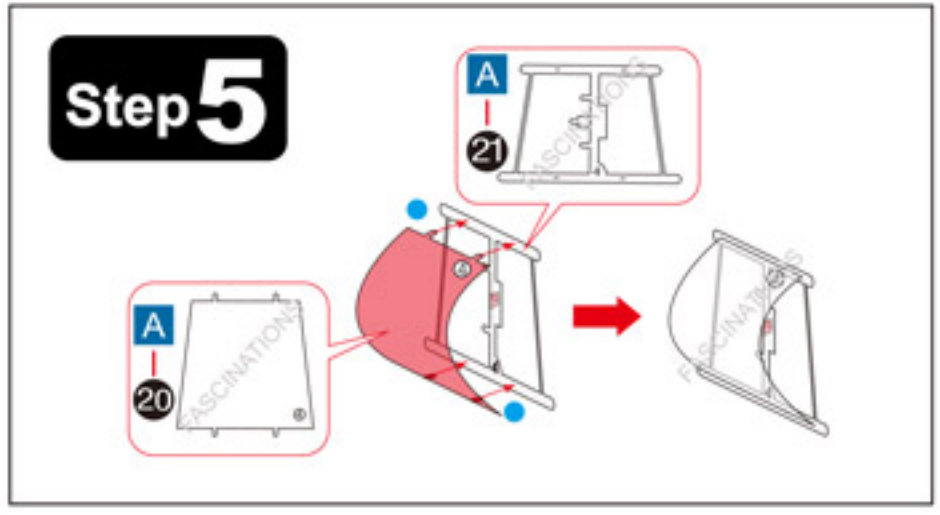
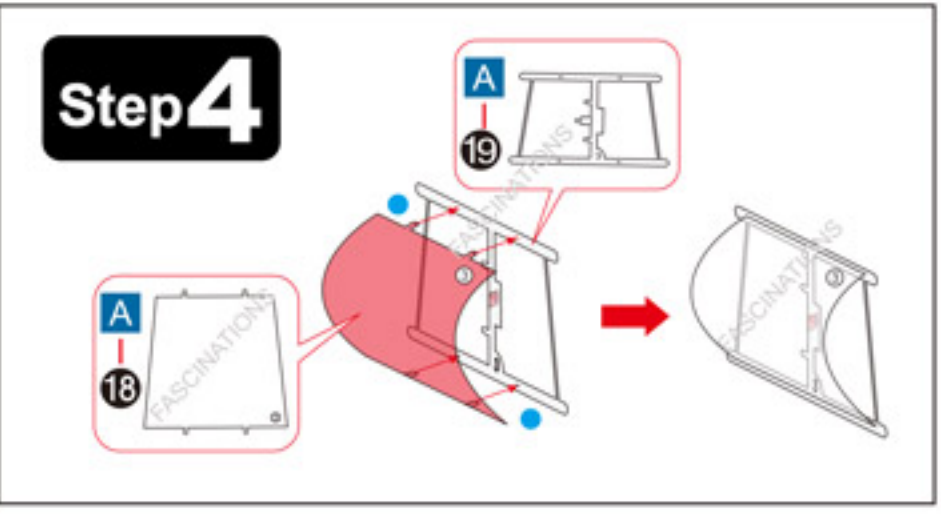
Step 2

Step 1

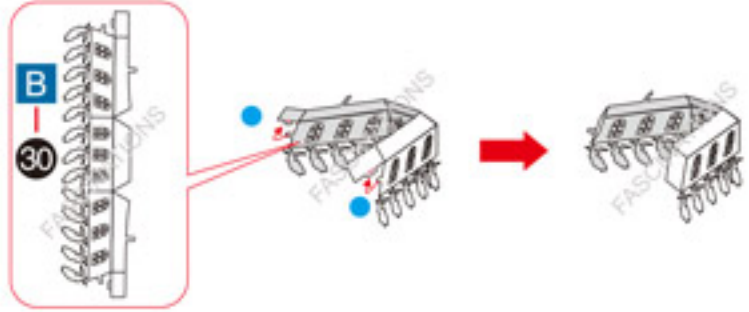


Step 3

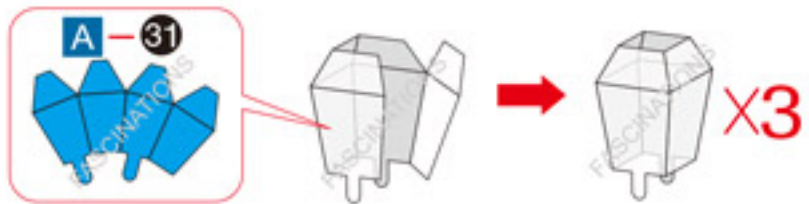




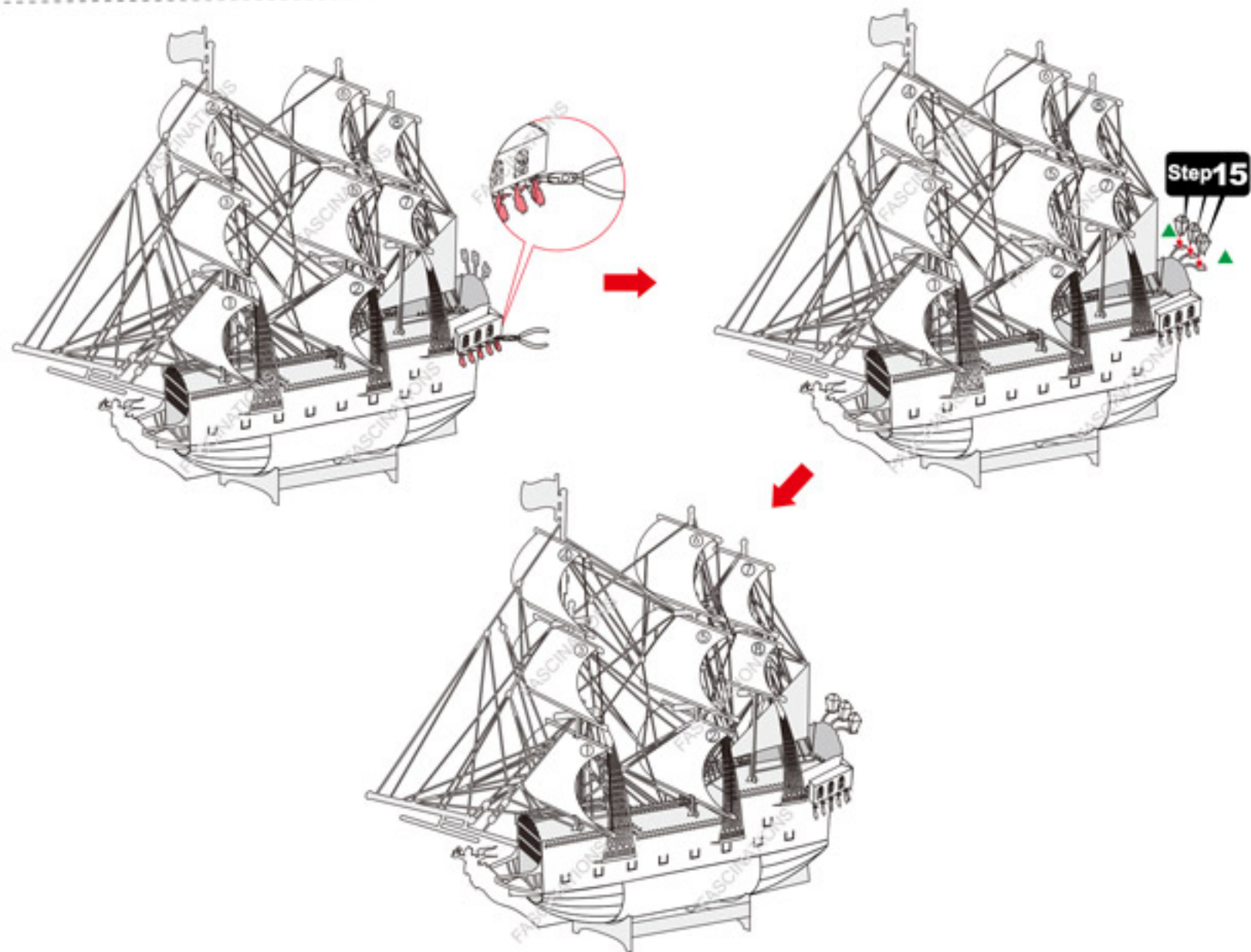
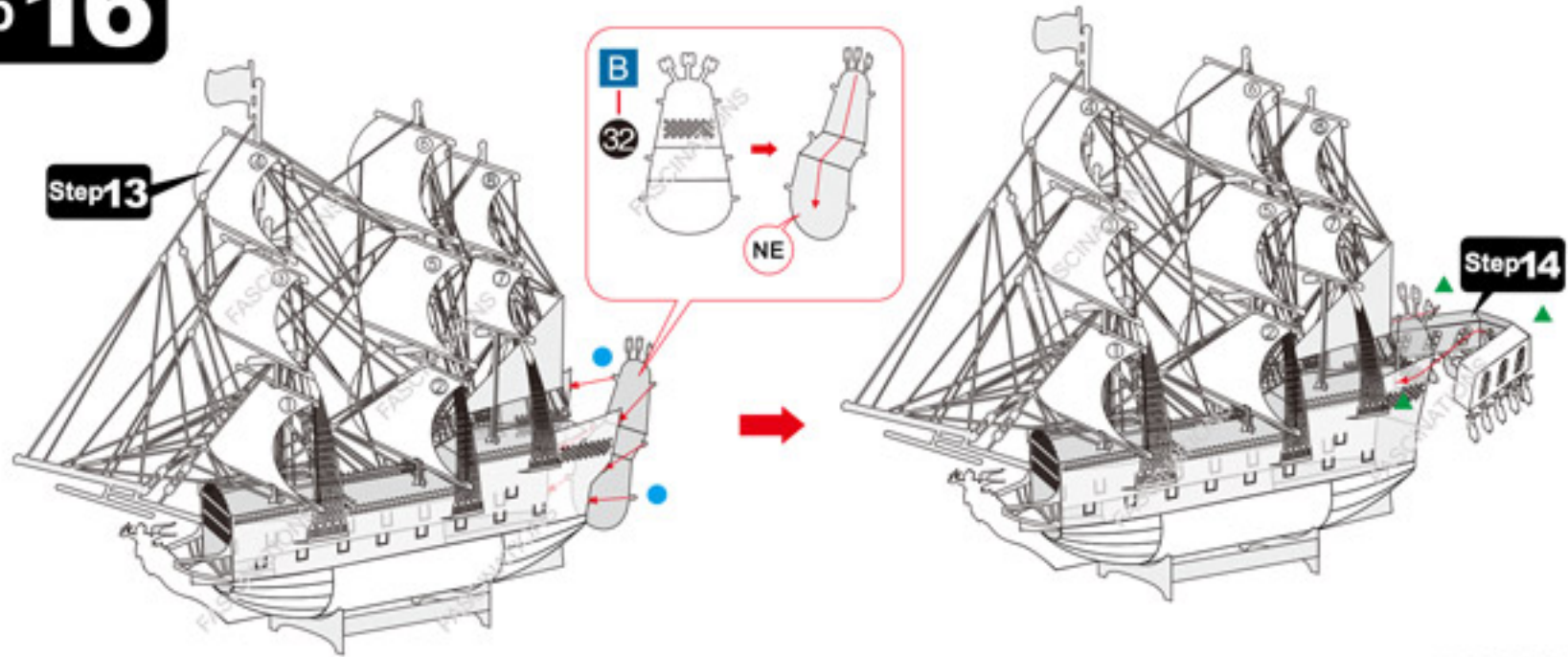
Step 14



Step 15



Step 16



Step 17

